


## **Simple Set Max** Pressure Independent Control Valves ANSI 125 • 2-Way — 2-1/2" - 12"

DOCUMENT	
CONTENTS	Features
	Valve Specs
	Dimensions
	Valve Sizing
	Flow Rate Charts
LOOKING FOR MORE	
	© 2022 Bray International, Inc. 07/28/23

### Application

The Bray Simple Set Max is a flanged pressure independent control (PIC) valve designed for a wide variety of hot water and chilled water control applications. The SSM Series combines high rangeability control with dynamic balancing into a single compact housing, eliminating material installation and commissioning costs of separate balancing components.

The maximum flow rate is easily set by hand with an adjustment on the top of the valve. The unique design of the Simple Set Max provides full stroke of the control element, even when the flow rate setting is a small percentage of the maximum flow capacity of the valve.

Simple Set Max valves provide a continuous flow rate at any fixed position of the valve irrespective of inlet pressure change. This prevents overflow at any load condition, which contributes to optimal coil performance and primary equipment efficiency.

### System Types

Air Handling Units  
Heat Exchangers  
Computer Rooms  
and more.



### Features and Benefits

- **Cast/Ductile Iron housing with Stainless Steel flow regulation unit**

*Robust design, resistant to high temperatures and moderate levels of particulate.*

- **Low pressure drop**

*Reduces pump head requirements for added energy efficiency*

- **Easily adjustable flow rates and actuator characteristics**

*Saves time and money in commissioning and start up.*

- **No minimum straight pipe lengths required upstream or downstream of the valve**

*Provides for maximum piping flexibility, even in crowded mechanical rooms.*

## Simple Set Max - Valve Body Specifications

Technical Specifications - Valve		
Service	Hot Water, Chilled Water, 50-50 Glycol Solutions	
Size Range	2-Way	2-1/2" through 12" (DN 65 to 300)
Cold Working Pressure	2-1/2" through 12" - 200 PSI @ 100°F, ANSI 125	
Media Temperature Range	2.5" to 5"	32°F to 248°F (0°C to 120°C)
	6" to 12"	32°F to 230°F (0°C to 110°C)
Min. Operational ΔP	Refer to Flow Rate Charts on Pages SSM-5 thru SSM-8	
Max. Operational ΔP	116 PSID (800kPa)	
Max. Close-Off Pressure	116 PSI (800kPa)	
Valve Operation	Push down to close, Normally Open	
Shut-Off Leakage	<ANSI Class IV (0.01%)	
Flow Rate Range	19.27 to 2641 GPM	
Stroke	2.5" & 3"	0.79" (20mm)
	4" & 5"	1.58" (40mm)
	6" & 8"	1.69" (43mm)
	10" & 12"	1.89" (48mm)
Rangeability	>100:1	
Flange Connections	ANSI 125	
Test Ports	1/4" NPT	
Materials	Body	2-1/2" thru 6" - Cast Iron 8" thru 12" - Ductile Iron
	Flow Regulation Unit	Stainless Steel
	Diaphragm	Reinforced EPDM (Ethylene Propylene Diene Monomer)
	Spring	Stainless Steel
	O-Rings	EPDM
Warranty	5 Years limited from time of shipment.	
Weights	See Dimensions	

**Disclaimer** - The pipe system shall be properly ventilated to avoid risk of air pockets. Glycolic mixtures up to 50% are applicable (both ethylene and propylene). Bray can accept no responsibility if another actuator is used instead of the Bray actuator recommendation: Water treatment to VDI 2035.

## Simple Set Max - Model Number Matrix

SSM	Prefix: Simple Set Max	Valve Series
5	Valve Size (2-1/2" to 12")	Valve Size
A	End Connections - ANSI Flanged	End Connections
L	Flow Range Pressure Cartridge - (H) High, (L) Low	Cartridge
X	Flow Setting GPM. See Charts on Page SSM-5 thru SSM-8	GPM
/	/	/
	<b>PAM24-112</b> 24V On/Off, Floating and Modulating <b>GA24-562</b> 24V On/Off, Floating and Modulating <b>GASRE24-450</b> 24V On/Off, Floating and Modulating, Shaft Normally Retracted <b>GASEX24-450</b> 24V On/Off, Floating and Modulating, Shaft Normally Extended	Actuator Selection
SSM	5 A L 246 / GA24-562	Example
	5" Simple Set Max Body, NPT End Connections, Low Flow Rate, GPM of 246, 24V GA24-562 Actuator	

## Simple Set Max - Dimensions - 2-1/2" - 12"

### Simple Set Max ANSI 125 Dimensions with PAM24-112 Actuator — 2-1/2" - 3"

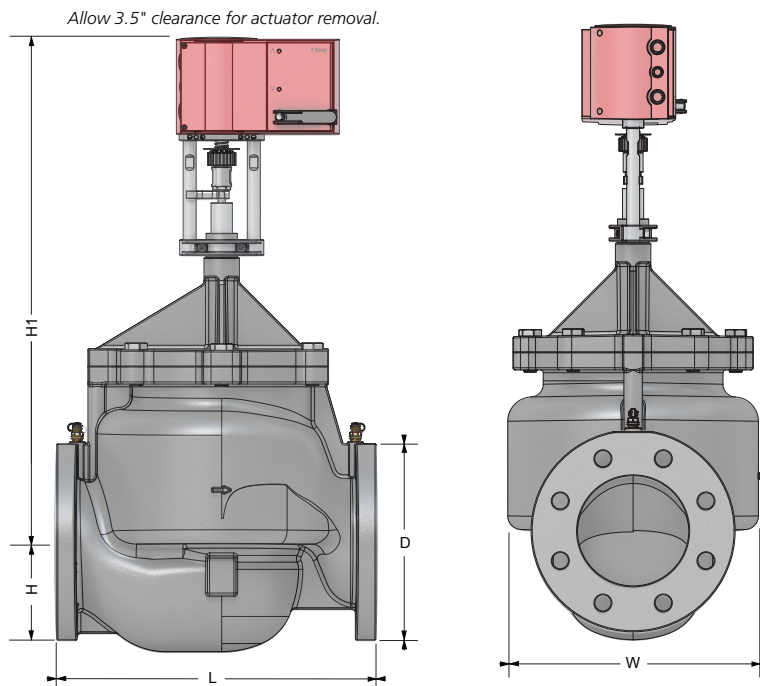
ANSI 125 Model #	Connection		Flow Range	Please Reference the Illustration											
				L		H		H1		D		W		Weight	
x = Flow in GPM	in.	mm	GPM	in.	mm	in.	mm	in.	mm	in.	mm	in.	mm	lbs	kg
SSM-250-A-L-x	2.5	65	19 - 110	10.87	276	3.51	89	15.50	394	7.01	178	6.41	163	35	16
SSM-250-A-H-x	2.5	65	26 - 154	10.87	276	3.51	89	15.50	394	7.01	178	6.41	163	35	16
SSM-3-A-L-x	3.0	80	26 - 150	11.73	298	3.75	95	16.35	415	7.52	191	7.96	202	55	25
SSM-3-A-H-x	3.0	80	31 - 189	11.73	298	3.75	95	16.35	415	7.52	191	7.96	202	55	25

### Simple Set Max ANSI 125 Dimensions with GA(S) Actuators — 2-1/2" - 12"

ANSI 125 Model #	Connection		Flow Range	Please Reference the Illustration											
				L		H		H1		D		W		Weight	
x = Flow in GPM	in.	mm	GPM	in.	mm	in.	mm	in.	mm	in.	mm	in.	mm	lbs	kg
SSM-250-A-L-x	2.5	65	19 - 110	10.87	276	3.51	89	19.12	486	7.01	178	6.41	163	41	19
SSM-250-A-H-x	2.5	65	26 - 154	10.87	276	3.51	89	19.12	486	7.01	178	6.41	163	41	19
SSM-3-A-L-x	3.0	80	26 - 150	11.73	298	3.75	95	19.98	507	7.52	191	7.96	202	61	28
SSM-3-A-H-x	3.0	80	31 - 189	11.73	298	3.75	95	19.98	507	7.52	191	7.96	202	61	28
SSM-4-A-L-x	4.0	100	53 - 299	13.86	352	4.51	115	24.52	623	9.02	229	10.53	267	123	56
SSM-4-A-H-x	4.0	100	65 - 396	13.86	352	4.51	115	24.52	623	9.02	229	10.53	267	123	56
SSM-5-A-L-x	5.0	125	81 - 484	15.75	400	5.00	127	25.58	650	10.00	254	11.90	302	171	78
SSM-5-A-H-x	5.0	125	101 - 594	15.75	400	5.00	127	25.58	650	10.00	254	11.90	302	171	78
SSM-6-A-L-x	6.0	150	113 - 652	17.76	451	5.49	139	27.26	692	10.98	279	14.00	356	241	109
SSM-6-A-H-x	6.0	150	141 - 859	17.76	451	5.49	139	27.26	692	10.98	279	14.00	356	241	109
SSM-8-A-L-x	8.0	200	419 - 925	23.62	600	7.48	190	27.38	695	14.96	380	18.58	472	386	175
SSM-8-A-H-x	8.0	200	572 - 1233	23.62	600	7.48	190	27.38	695	14.96	380	18.58	472	386	175
SSM-10-A-L-x	10.0	250	837 - 2091	28.74	730	8.74	222	33.44	849	17.48	444	21.69	551	677	307
SSM-10-A-H-x	10.0	250	1079 - 2642	28.74	730	8.74	222	33.44	849	17.48	444	21.69	551	677	307
SSM-12-A-L-x	12.0	300	837 - 2091	33.46	850	10.24	260	33.44	849	20.47	520	28.39	721	1036	470
SSM-12-A-H-x	12.0	300	1079 - 2642	33.46	850	10.24	260	33.44	849	20.47	520	28.39	721	1036	470

GA Series (Non-Spring Return) Actuators only

Weights shown are for valve/actuator assemblies  
Add 3.2 lbs. (1.5 kg) for spring return GA(S) actuator

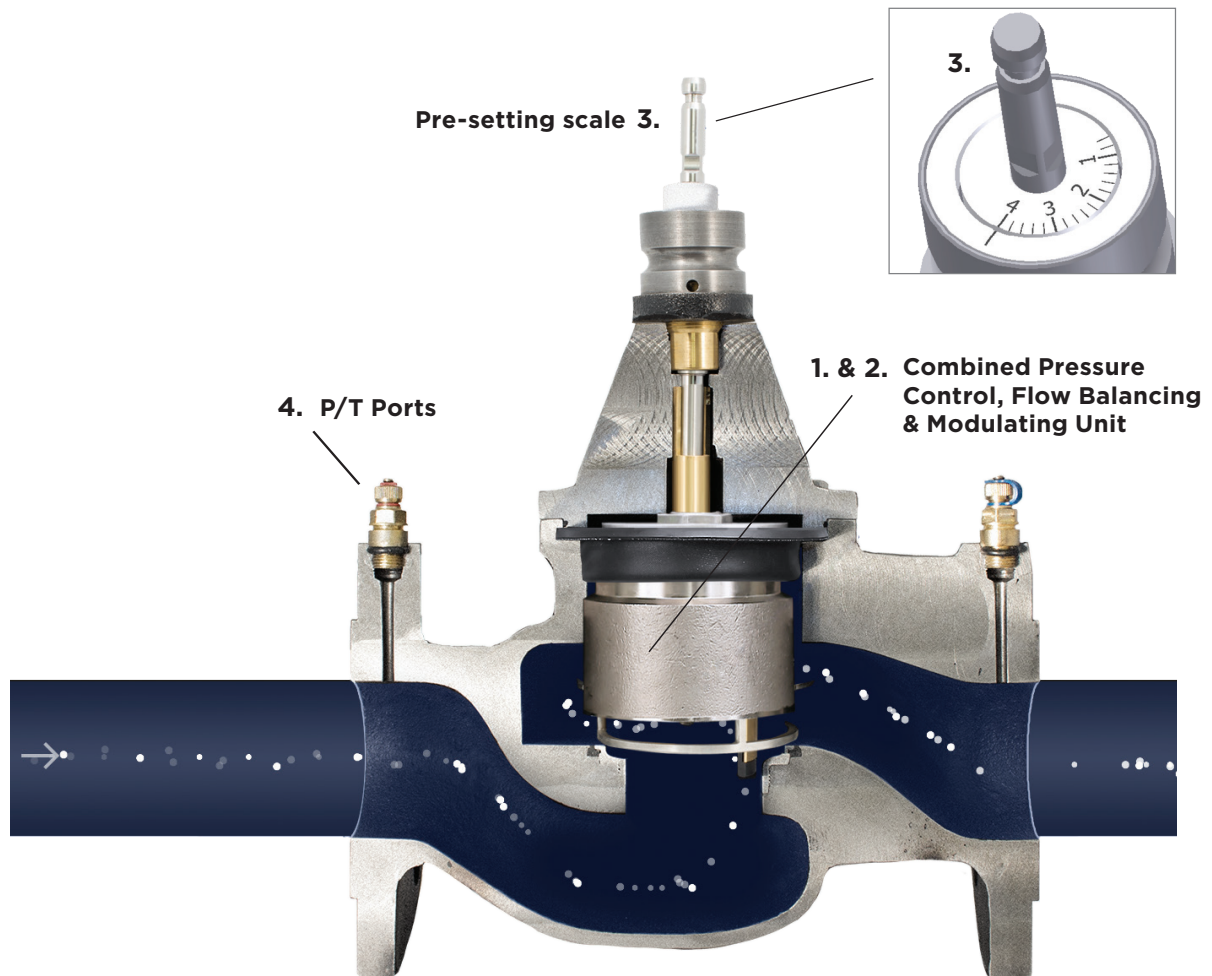


## Simple Set Max - Valve Sizing

Unlike conventional control valve sizing where valves are sized to a Cv, the Simple Set Max valves are simply sized for flow and pipe size. Refer to the ordering table for the wide range of flow values available.

The design of Simple Set Max combines high performance and a compact design. The main components of the valve are:

- 1. Differential Pressure Control Cartridge** - Ensures constant flow rate is achieved under fluctuating system pressures. As the system differential pressure increases and decreases, the Dp controller absorbs and releases pressure through an internal capillary tube maintaining a constant Dp across the valve.
- 2. Modulating Control Component** -
  1. Rotates laterally to limit max flow through the valve per the Pre-Setting Scale.
  2. Moves vertically in response to the actuator call for more or less flow.
- 3. Presetting Scale** - Sets maximum flow allowed through valve.
- 4. P/T Ports** - Allows for measurement of water flow and temperature.



## Simple Set Max - Flow Rate Charts

2-1/2"		2-1/2" Low Flow Rate Cartridge		
Model Number	Pre-Set	Min. Delta P	Flow m <sup>3</sup> /h	Flow GPM
SSM-250-A-L-19	0.6	2.18	4.4	19
SSM-250-A-L-24	0.8	2.18	5.6	24
SSM-250-A-L-29	1.0	2.18	6.6	29
SSM-250-A-L-34	1.2	2.31	7.7	34
SSM-250-A-L-38	1.4	2.41	8.6	38
SSM-250-A-L-42	1.6	2.49	9.6	42
SSM-250-A-L-46	1.8	2.55	10.5	46
SSM-250-A-L-51	2.0	2.61	11.5	51
SSM-250-A-L-55	2.2	2.66	12.5	55
SSM-250-A-L-60	2.4	2.7	13.5	60
SSM-250-A-L-65	2.6	2.76	14.7	65
SSM-250-A-L-70	2.8	2.82	15.8	70
SSM-250-A-L-75	3.0	2.9	17.1	75
SSM-250-A-L-81	3.2	3	18.5	81
SSM-250-A-L-88	3.4	3.11	19.9	88
SSM-250-A-L-95	3.6	3.26	21.5	95
SSM-250-A-L-102	3.8	3.42	23.2	102
SSM-250-A-L-110	4.0	3.59	25.0	110

2-1/2"		2-1/2" High Flow Rate Cartridge		
Model Number	Pre-Set	Min. Delta P	Flow m <sup>3</sup> /h	Flow GPM
SSM-250-A-H-26	0.6	4.35	6.0	26
SSM-250-A-H-33	0.8	4.35	7.6	33
SSM-250-A-H-40	1.0	4.35	9.1	40
SSM-250-A-H-46	1.2	4.51	10.5	46
SSM-250-A-H-53	1.4	4.6	11.9	53
SSM-250-A-H-59	1.6	4.64	13.3	59
SSM-250-A-H-65	1.8	4.65	14.7	65
SSM-250-A-H-71	2.0	4.64	16.0	71
SSM-250-A-H-77	2.2	4.64	17.5	77
SSM-250-A-H-84	2.4	4.67	19.0	84
SSM-250-A-H-91	2.6	4.74	20.6	91
SSM-250-A-H-98	2.8	4.87	22.3	98
SSM-250-A-H-106	3.0	5.09	24.1	106
SSM-250-A-H-114	3.2	5.4	26.0	114
SSM-250-A-H-123	3.4	5.81	28.0	123
SSM-250-A-H-133	3.6	6.36	30.2	133
SSM-250-A-H-143	3.8	7.06	32.5	143
SSM-250-A-H-154	4.0	8.01	35.0	154

3"		3" Low Flow Rate Cartridge		
Model Number	Pre-Set	Min. Delta P	Flow m <sup>3</sup> /h	Flow GPM
SSM-3-A-L-26	0.6	2.32	5.3	26
SSM-3-A-L-30	0.8	2.32	6.9	30
SSM-3-A-L-36	1.0	2.33	8.3	36
SSM-3-A-L-42	1.2	2.41	9.6	42
SSM-3-A-L-48	1.4	2.47	10.9	48
SSM-3-A-L-54	1.6	2.52	12.2	54
SSM-3-A-L-59	1.8	2.57	13.5	59
SSM-3-A-L-65	2.0	2.61	14.8	65
SSM-3-A-L-71	2.2	2.65	16.2	71
SSM-3-A-L-77	2.4	2.7	17.6	77
SSM-3-A-L-84	2.6	2.75	19.1	84
SSM-3-A-L-91	2.8	2.82	20.7	91
SSM-3-A-L-99	3.0	2.9	22.4	99
SSM-3-A-L-107	3.2	3	24.3	107
SSM-3-A-L-116	3.4	3.13	26.4	116
SSM-3-A-L-126	3.6	3.28	28.7	126
SSM-3-A-L-138	3.8	3.44	31.2	138
SSM-3-A-L-150	4.0	3.61	34.0	150

3"		3" High Flow Rate Cartridge		
Model Number	Pre-Set	Min. Delta P	Flow m <sup>3</sup> /h	Flow GPM
SSM-3-A-H-31	0.6	3.34	7.0	31
SSM-3-A-H-40	0.8	3.34	9.0	40
SSM-3-A-H-48	1.0	3.34	11.0	48
SSM-3-A-H-56	1.2	3.43	12.8	56
SSM-3-A-H-64	1.4	3.49	14.5	64
SSM-3-A-H-71	1.6	3.53	16.2	71
SSM-3-A-H-79	1.8	3.57	18.0	79
SSM-3-A-H-86	2.0	3.61	19.6	86
SSM-3-A-H-94	2.2	3.68	21.4	94
SSM-3-A-H-102	2.4	3.77	23.2	102
SSM-3-A-H-111	2.6	3.91	25.1	111
SSM-3-A-H-119	2.8	4.11	27.1	119
SSM-3-A-H-129	3.0	4.39	29.3	129
SSM-3-A-H-139	3.2	4.75	31.6	139
SSM-3-A-H-150	3.4	5.19	34.1	150
SSM-3-A-H-162	3.6	5.73	36.8	162
SSM-3-A-H-175	3.8	6.39	39.8	175
SSM-3-A-H-189	4.0	7.19	43.0	189

**Note:** Min. Delta P Available at Selected Flow Rate.  
See Website for Specific Flow Rate Settings Calculator

## Simple Set Max - Flow Rate Charts

4"		4" Low Flow Rate Cartridge		
Model Number	Pre-Set	Min. Delta P	Flow m <sup>3</sup> /h	Flow GPM
SSM-4-A-L-53	0.6	2.75	12.1	53
SSM-4-A-L-67	0.8	2.83	15.3	67
SSM-4-A-L-80	1.0	2.9	18.1	80
SSM-4-A-L-91	1.2	2.96	20.8	91
SSM-4-A-L-102	1.4	3.02	23.2	102
SSM-4-A-L-112	1.6	3.08	25.5	112
SSM-4-A-L-122	1.8	3.13	27.8	122
SSM-4-A-L-132	2.0	3.19	30.0	132
SSM-4-A-L-143	2.2	3.25	32.4	143
SSM-4-A-L-154	2.4	3.32	34.9	154
SSM-4-A-L-166	2.6	3.4	37.6	166
SSM-4-A-L-179	2.8	3.5	40.6	179
SSM-4-A-L-194	3.0	3.63	44.0	194
SSM-4-A-L-210	3.2	3.78	47.7	210
SSM-4-A-L-229	3.4	3.98	51.9	229
SSM-4-A-L-249	3.6	4.25	56.7	249
SSM-4-A-L-273	3.8	4.6	62.0	273
SSM-4-A-L-299	4.0	5.08	68.0	299

4"		4" High Flow Rate Cartridge		
Model Number	Pre-Set	Min. Delta P	Flow m <sup>3</sup> /h	Flow GPM
SSM-4-A-H-65	0.6	4.14	14.8	65
SSM-4-A-H-83	0.8	4.24	18.9	83
SSM-4-A-H-99	1.0	4.35	22.6	99
SSM-4-A-H-114	1.2	4.48	26.0	114
SSM-4-A-H-128	1.4	4.61	29.1	128
SSM-4-A-H-141	1.6	4.75	32.1	141
SSM-4-A-H-154	1.8	4.91	35.1	154
SSM-4-A-H-168	2.0	5.08	38.1	168
SSM-4-A-H-181	2.2	5.27	41.2	181
SSM-4-A-H-196	2.4	5.5	44.5	196
SSM-4-A-H-212	2.6	5.78	48.2	212
SSM-4-A-H-230	2.8	6.11	52.2	230
SSM-4-A-H-250	3.0	6.52	56.7	250
SSM-4-A-H-272	3.2	7.05	61.9	272
SSM-4-A-H-298	3.4	7.7	67.7	298
SSM-4-A-H-327	3.6	8.51	74.2	327
SSM-4-A-H-360	3.8	9.56	81.7	360
SSM-4-A-H-396	4.0	10.87	90.0	396

5"		5" Low Flow Rate Cartridge		
Model Number	Pre-Set	Min. Delta P	Flow m <sup>3</sup> /h	Flow GPM
SSM-5-A-L-81	0.6	2.32	18.5	81
SSM-5-A-L-104	0.8	2.32	23.6	104
SSM-5-A-L-125	1.0	2.32	28.5	125
SSM-5-A-L-147	1.2	2.39	33.3	147
SSM-5-A-L-167	1.4	2.46	38.0	167
SSM-5-A-L-188	1.6	2.51	42.6	188
SSM-5-A-L-207	1.8	2.56	47.1	207
SSM-5-A-L-227	2.0	2.61	51.5	227
SSM-5-A-L-246	2.2	2.67	55.9	246
SSM-5-A-L-266	2.4	2.73	60.4	266
SSM-5-A-L-286	2.6	2.81	65.0	286
SSM-5-A-L-308	2.8	2.91	69.8	308
SSM-5-A-L-330	3.0	3.05	75.0	330
SSM-5-A-L-355	3.2	3.23	80.6	355
SSM-5-A-L-382	3.4	3.48	86.7	382
SSM-5-A-L-412	3.6	3.83	93.6	412
SSM-5-A-L-446	3.8	4.34	101.3	446
SSM-5-A-L-484	4.0	5.08	110.0	484

5"		5" High Flow Rate Cartridge		
Model Number	Pre-Set	Min. Delta P	Flow m <sup>3</sup> /h	Flow GPM
SSM-5-A-H-101	0.6	3.92	23.0	101
SSM-5-A-H-132	0.8	3.92	29.9	131
SSM-5-A-H-161	1.0	3.92	36.5	161
SSM-5-A-H-188	1.2	3.99	42.8	188
SSM-5-A-H-215	1.4	4.05	48.7	215
SSM-5-A-H-240	1.6	4.1	54.5	240
SSM-5-A-H-264	1.8	4.15	60.0	264
SSM-5-A-H-288	2.0	4.21	65.5	288
SSM-5-A-H-312	2.2	4.27	70.9	312
SSM-5-A-H-336	2.4	4.35	76.4	336
SSM-5-A-H-361	2.6	4.46	82.0	361
SSM-5-A-H-387	2.8	4.6	87.8	387
SSM-5-A-H-414	3.0	7.79	94.0	414
SSM-5-A-H-443	3.2	5.05	100.7	443
SSM-5-A-H-475	3.4	5.41	108.0	475
SSM-5-A-H-511	3.6	5.92	116.0	511
SSM-5-A-H-550	3.8	6.65	125.0	550
SSM-5-A-H-594	4.0	7.69	135.0	594

**Note:** Min. Delta P Available at Selected Flow Rate.  
See Website for Specific Flow Rate Settings Calculator



## Simple Set Max - Flow Rate Charts

6"		6" Low Flow Rate Cartridge		
Model Number	Pre-Set	Min. Delta P	Flow m <sup>3</sup> /h	Flow GPM
SSM-6-A-L-113	0.6	3.05	25.6	113
SSM-6-A-L-143	0.8	3.05	32.6	143
SSM-6-A-L-173	1.0	3.05	39.2	173
SSM-6-A-L-201	1.2	3.05	45.6	201
SSM-6-A-L-228	1.4	3.05	51.8	228
SSM-6-A-L-255	1.6	3.05	58.0	255
SSM-6-A-L-282	1.8	3.05	64.1	282
SSM-6-A-L-310	2.0	3.19	70.4	310
SSM-6-A-L-338	2.2	3.39	76.8	338
SSM-6-A-L-367	2.4	3.61	83.4	367
SSM-6-A-L-398	2.6	3.86	90.3	398
SSM-6-A-L-429	2.8	4.11	97.5	429
SSM-6-A-L-462	3.0	4.35	105.0	462
SSM-6-A-L-497	3.2	4.58	112.9	497
SSM-6-A-L-533	3.4	4.77	121.1	533
SSM-6-A-L-571	3.6	4.93	129.7	571
SSM-6-A-L-610	3.8	5.03	138.7	610
SSM-6-A-L-652	4.0	5.08	148.0	652

6"		6" High Flow Rate Cartridge		
Model Number	Pre-Set	Min. Delta P	Flow m <sup>3</sup> /h	Flow GPM
SSM-6-A-H-141	0.6	4.79	32.0	141
SSM-6-A-H-182	0.8	4.79	41.3	182
SSM-6-A-H-220	1.0	4.79	50.0	220
SSM-6-A-H-256	1.2	4.79	58.2	256
SSM-6-A-H-291	1.4	4.79	66.0	291
SSM-6-A-H-324	1.6	4.79	73.7	324
SSM-6-A-H-358	1.8	4.79	81.3	358
SSM-6-A-H-392	2.0	4.93	89.0	392
SSM-6-A-H-427	2.2	5.16	96.9	427
SSM-6-A-H-463	2.4	5.46	105.2	4637
SSM-6-A-H-501	2.6	5.82	113.9	5017
SSM-6-A-H-542	2.8	6.23	123.1	5427
SSM-6-A-H-586	3.0	6.68	133.0	586
SSM-6-A-H-632	3.2	7.14	143.6	632
SSM-6-A-H-683	3.4	7.69	155.1	683
SSM-6-A-H-737	3.6	8.23	167.4	737
SSM-6-A-H-796	3.8	8.81	180.7	796
SSM-6-A-H-859	4.0	9.44	195.0	859

8"		8" Low Flow Rate Cartridge		
Model Number	Pre-Set	Min. Delta P	Flow m <sup>3</sup> /h	Flow GPM
SSM-8-A-L-418	1	1.6	95.2	418
SSM-8-A-L-435	1.2	1.7	98.8	435
SSM-8-A-L-460	1.4	1.8	104.5	460
SSM-8-A-L-485	1.6	1.9	110.2	485
SSM-8-A-L-515	1.8	2.1	117.0	515
SSM-8-A-L-545	2	2.3	123.8	545
SSM-8-A-L-575	2.2	2.5	130.6	575
SSM-8-A-L-610	2.4	2.7	138.6	610
SSM-8-A-L-640	2.6	2.9	145.4	640
SSM-8-A-L-680	2.8	3.2	154.4	680
SSM-8-A-L-720	3	3.4	163.5	720
SSM-8-A-L-760	3.2	3.7	172.6	760
SSM-8-A-L-795	3.4	3.9	180.6	795
SSM-8-A-L-835	3.6	4.2	189.7	835
SSM-8-A-L-875	3.8	4.4	198.7	875
SSM-8-A-L-925	4	4.6	209.9	925

8"		8" High Flow Rate Cartridge		
Model Number	Pre-Set	Min. Delta P	Flow m <sup>3</sup> /h	Flow GPM
SSM-8-A-H-572	1	4.5	130.1	572
SSM-8-A-H-598	1.2	5	135.8	598
SSM-8-A-H-630	1.4	5	143.1	630
SSM-8-A-H-664	1.6	5	150.8	664
SSM-8-A-H-702	1.8	5	159.4	702
SSM-8-A-H-739	2	6	167.9	739
SSM-8-A-H-779	2.2	6	176.9	779
SSM-8-A-H-823	2.4	7	186.9	823
SSM-8-A-H-865	2.6	7	196.5	865
SSM-8-A-H-910	2.8	8	206.7	910
SSM-8-A-H-957	3	9	217.4	957
SSM-8-A-H-1008	3.2	9	228.9	1008
SSM-8-A-H-1058	3.4	10	240.3	1058
SSM-8-A-H-1109	3.6	10	251.9	1109
SSM-8-A-H-1164	3.8	11	264.4	1164
SSM-8-A-H-1233	4	11	279.8	1233

**Note:** Min. Delta P Available at Selected Flow Rate.  
See Website for Specific Flow Rate Settings Calculator

## Simple Set Max - Flow Rate Charts

10"		10" Low Flow Rate Cartridge		
Model Number	Pre-Set	Min. Delta P	Flow m <sup>3</sup> /h	Flow GPM
SSM-10-A-L-837	1	1.5	190.1	837
SSM-10-A-L-900	1.2	1.5	204.4	900
SSM-10-A-L-960	1.4	1.6	218.0	960
SSM-10-A-L-1020	1.6	1.7	231.7	1020
SSM-10-A-L-1075	1.8	1.9	244.2	1075
SSM-10-A-L-1135	2	2.1	257.8	1135
SSM-10-A-L-1195	2.2	2.4	271.4	1195
SSM-10-A-L-1255	2.4	2.6	285.0	1255
SSM-10-A-L-1325	2.6	2.9	300.9	1325
SSM-10-A-L-1400	2.8	3.3	318.0	1400
SSM-10-A-L-1480	3	3.6	336.1	1480
SSM-10-A-L-1570	3.2	3.9	356.6	1570
SSM-10-A-L-1680	3.4	3.4	381.6	1680
SSM-10-A-L-1795	3.6	4.5	407.7	1795
SSM-10-A-L-1930	3.8	4.8	438.4	1930
SSM-10-A-L-2091	4	5.1	474.9	2091

10"		10" High Flow Rate Cartridge		
Model Number	Pre-Set	Min. Delta P	Flow m <sup>3</sup> /h	Flow GPM
SSM-10-A-H-1079	1	2.18	245.1	1079
SSM-10-A-H-1118	1.2	2.3	253.9	1118
SSM-10-A-H-1178	1.4	2.5	267.6	1178
SSM-10-A-H-1246	1.6	2.8	283.0	1246
SSM-10-A-H-1330	1.8	3.1	302.1	1330
SSM-10-A-H-1420	2	3.6	322.5	1420
SSM-10-A-H-1515	2.2	4.1	344.1	1515
SSM-10-A-H-1620	2.4	4.6	367.9	1620
SSM-10-A-H-1730	2.6	5.2	392.9	1730
SSM-10-A-H-1845	2.8	5.8	419.1	1845
SSM-10-A-H-1965	3	6.4	446.3	1965
SSM-10-A-H-2090	3.2	7.1	474.7	2090
SSM-10-A-H-2220	3.4	7.8	504.2	2220
SSM-10-A-H-2355	3.6	8.6	534.9	2355
SSM-10-A-H-2490	3.8	9.3	565.5	2490
SSM-10-A-H-2642	4	10.2	599.8	2642

12"		12" Low Flow Rate Cartridge		
Model Number	Pre-Set	Min. Delta P	Flow m <sup>3</sup> /h	Flow GPM
SSM-12-A-L-837	1	1.5	190.1	837
SSM-12-A-L-895	1.2	1.5	203.3	895
SSM-12-A-L-955	1.4	1.6	216.9	955
SSM-12-A-L-1015	1.6	1.7	230.5	1015
SSM-12-A-L-1075	1.8	1.8	244.2	1075
SSM-12-A-L-1130	2	2.1	256.7	1130
SSM-12-A-L-1195	2.2	2.4	271.4	1195
SSM-12-A-L-1255	2.4	2.6	285.0	1255
SSM-12-A-L-1325	2.6	2.9	300.9	1325
SSM-12-A-L-1400	2.8	3.3	318.0	1400
SSM-12-A-L-1480	3	3.6	336.1	1480
SSM-12-A-L-1570	3.2	3.2	356.6	1570
SSM-12-A-L-1680	3.4	4.2	381.6	1680
SSM-12-A-L-1795	3.6	4.5	407.7	1795
SSM-12-A-L-1930	3.8	4.8	438.4	1930
SSM-12-A-L-2091	4	5.1	474.9	2091

12"		12" High Flow Rate Cartridge		
Model Number	Pre-Set	Min. Delta P	Flow m <sup>3</sup> /h	Flow GPM
SSM-12-A-H-1079	1	2.2	245.1	1079
SSM-12-A-H-1118	1.2	2.3	253.9	1118
SSM-12-A-H-1178	1.4	2.5	267.6	1178
SSM-12-A-H-1248	1.6	2.8	283.5	1248
SSM-12-A-H-1330	1.8	3.1	302.1	1330
SSM-12-A-H-1418	2	3.6	322.1	1418
SSM-12-A-H-1515	2.2	4.1	344.1	1515
SSM-12-A-H-1618	2.4	4.6	367.5	1618
SSM-12-A-H-1730	2.6	5.2	392.9	1730
SSM-12-A-H-1847	2.8	5.8	419.5	1847
SSM-12-A-H-1969	3	6.5	447.2	1969
SSM-12-A-H-2090	3.2	7.1	474.7	2090
SSM-12-A-H-2225	3.4	7.9	505.4	2225
SSM-12-A-H-2350	3.6	8.6	533.7	2350
SSM-12-A-H-2490	3.8	9.3	565.5	2490
SSM-12-A-H-2642	4	10.2	599.8	2642

**Note:** Min. Delta P Available at Selected Flow Rate.  
See Website for Specific Flow Rate Settings Calculator



# **Bray** COMMERCIAL

**Bray Commercial** provides automated Butterfly, Ball, Globe and Pressure Independent Control Valves to the commercial building HVAC market throughout the world. Wherever valve performance is required to maintain climate controlled environments, Bray can provide the required automated valves to meet the demanding flow applications of chiller/boiler isolation, air handlers and terminal units for new construction, retrofit and/or LEED certification applications in buildings.

## Building Types

- Healthcare
- Data Centers
- Government and Municipal
- Sports/Entertainment/Convention Centers
- K-12 and University Education
- Transportation
- Hotels
- Office Buildings
- Retail

SINCE 1986, BRAY HAS PROVIDED FLOW CONTROL SOLUTIONS FOR A VARIETY OF INDUSTRIES AROUND THE WORLD.

VISIT [BRAYCOMMERCIALDIVISION.COM](http://BRAYCOMMERCIALDIVISION.COM) TO LEARN MORE ABOUT BRAY PRODUCTS AND LOCATIONS NEAR YOU.

### CORPORATE HEADQUARTERS

**Bray International, Inc.**  
13333 Westland East Blvd.  
Houston, Texas 77041  
1-281-894-5454



### DIVISION HEADQUARTERS

**Bray Commercial**  
13788 West Road, Suite 200A  
Houston, Texas 77041  
1-888-412-Bray (2729)



All statements, technical information, and recommendations in this bulletin are for general use only. Consult Bray representatives or factory for the specific requirements and material selection for your intended application. The right to change or modify product design or product without prior notice is reserved. Patents issued and applied for worldwide. Bray® is a registered trademark of Bray International, Inc.

© 2022 BRAY INTERNATIONAL, INC. ALL RIGHTS RESERVED.

This Page Intentionally Left Blank